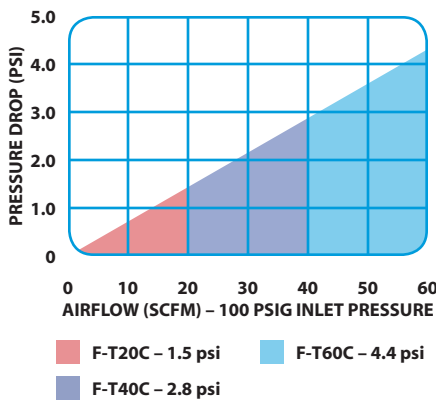


F-T20C F-T40C F-T60C



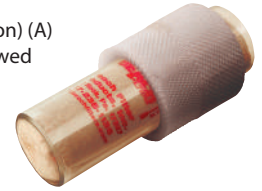
Polyclear II®* Polyurethane Plastic Housing

The T-line models F-T20C, F-T40C, and F-T60C are 3-stage filters for compressed air and gases rated from 20 to 60 scfm at 100 psi.

The F-T20C acetyl head and the F-T40C and F-T60C Aluminum heads (see illustration) (A) are the first stage offering mechanical separation of oil, water and particulate followed by the Coalescer (B). These two steps result in 80% of the filtration. Water is drained through the sump (C). The desiccant element (Step D) removes the balance of:

- All oil vapor and hydrocarbons
- Moisture
- Particulates down to 0.3 microns

Can be serviced in less than 7 minutes.



Coalescer filter removes 80% of oil, water and particulates.

UNIQUE FEATURES OF BEACH T-LINE FILTERS:

- Polyclear II®* polyurethane plastic has excellent resistance to synthetic compressor oils/lubricants, hydrocarbons, solvents, acids and other chemicals.
- It offers excellent UV resistance and can be used outdoors.
- Can be serviced in one quarter of the time of ordinary filters.
- Coalescer is re-usable – clean in detergent and water.
- Air and gases are filtered north to south (up and down arrow – see sheet) through the coalescer – 3 to 5x residence time of the air in the coalescer vs. competitor's filter.
- Desiccant element is visible with color change and can be replaced by simply unscrewing the bowl.
- All T-line heads, bowls and coalescer are designed to give minimum pressure drop (see graph).
- Automatic Drain Valve significantly extends element life.
- Metal safety guards are available.

FILTER HOUSING

- F-T20C – Acetyl plastic head, Polyclear II®* Bowl
- F-T40C and F-T60C – Aluminum head, Polyclear II®* Bowl
- Maximum Pressure – 250 psi

REPLACEMENT ELEMENT

The Cylform®* replaceable filter element is a desiccant-filled tube of woven polyester with filtration pads of non-woven polyester in the end caps, plus an extra particulate filtration pad sewn in the top cap. The patented design of the Cylform®* element eliminates channeling or by-pass of air. Beach Cylform®* elements are available in:

- Standard Cylform®* Desiccant – for general use to remove all hydrocarbons, moisture and particulate down to 0.3 microns. "Always a good choice." Changes color.
- Silica Gel – removes trace amounts of moisture resulting in very low dew point. Color changes from blue to pink. Can be re-generated in an oven at 200–220°F for 1½ to 2 hours.
- Activated Carbon – for odor removal and oil plus oil vapors. Does not remove moisture.
- Special Desiccants – molecular sieve and other special desiccants on request.
- Elements are packaged 2 per 4 mil polyethylene bags to ensure that they are free of contamination.

The model F-T60C has two elements for added volume and element life. The use of the second element allows for the mixing of different desiccant elements. The standard Cylform®* element on the bottom (always) and silica gel on the top – improved drying.

* Trademark, Beach Filter Products, Inc.

SPECIFICATIONS FOR T-LINE FILTERS

	F-T20C	F-T40C	F-T60C
Air Flow at 100 psi	20 scfm	40 scfm	60 scfm
Pressure Drop	1.5 psi at 20 scfm	2.8 psi at 40 scfm	4.4 psi at 60 scfm
Maximum Working Pressure	250 psi	250 psi	250 psi
Maximum Operating Temperature	180° F	180° F	180° F
Inlet and Outlet (Female)	½"-14 NPT	1"-11 NPT	1"-11 NPT
Overall Length	10 ⅞"	9 ½"	14 ¾"
Diameter	4 ⅝"	6 ⅛"	6 ⅛"
Number of Elements (Model EL125)	1	1	2
Filter Weight	3 lbs. 9 oz.	5 lbs. 8 oz.	7 lbs. 9 oz.
Shipping Weight	5 lbs.	6 lbs. 13 oz.	8 lbs. 13 oz.
Cleans Approximately	2,000,000 cu ft	3,300,000 cu ft	5,000,000 cu ft

FDA Compliant Models

- F-T20CF, F-T40CF, F-T60CF
- FDA Compliant Gaskets, Special Assembly Process
- Same Specifications As Standard Models

DISTRIBUTED BY:



BEACH FILTER PRODUCTS, INC.
555 Centennial Ave • PO Box 505 • Hanover, PA 17331
Phone: (717) 698-1403 • FAX (717) 698-1610
1-800-BEACH-85
www.beachfilters.com

INSTALLATION AND MAINTENANCE

- Install filter in a vertical position (see diagram).
- Line from compressor is connected to inlet side of filter as marked.
- Use Teflon tape in making the two connections. Never use pipe dope on any filter part or connections.
- To prevent cracking filter head, when installing tapered pipe thread, do not overtighten.
- Drain bowl via petcock every 24 hours or preferably install a Mini Auto Drain (NDM2). When installing auto-drain attach directly to petcock supplied by Beach on bottom of bowl.
- Never allow saturation (dark gray/brown color) to pass $\frac{3}{4}$ point of element.
- Element should be **replaced every three months** or as conditions warrant.
- Complete Service Kit Available Includes Element(s), scrubber, and gaskets

MAINTENANCE

- Turn off air supply and depressurize filter housing.
- To replace element simply unscrew the filter bowl from the head by hand or strap wrench.
- Remove element from inner tube, clean tube in detergent and warm water, wipe dry with paper or shop towels.
- Insert inner tube into filter making sure it is firm up into the top retaining O-ring and disc. Insert new Beach Cylform®* element into inner tube, flow arrows point up.
- Clean bowl, screen and coalescer/scrubber in detergent and warm water. Wipe dry with paper or shop towels.
- Replace O-rings on a periodic basis.
- Check bowl for any cracking or crazing. If visible, replace.
- Screw bowl with screen, scrubber and gasket in place, back into head.



Remove bowl and dirty scrubber. Clean scrubber thoroughly with warm water and soap only.



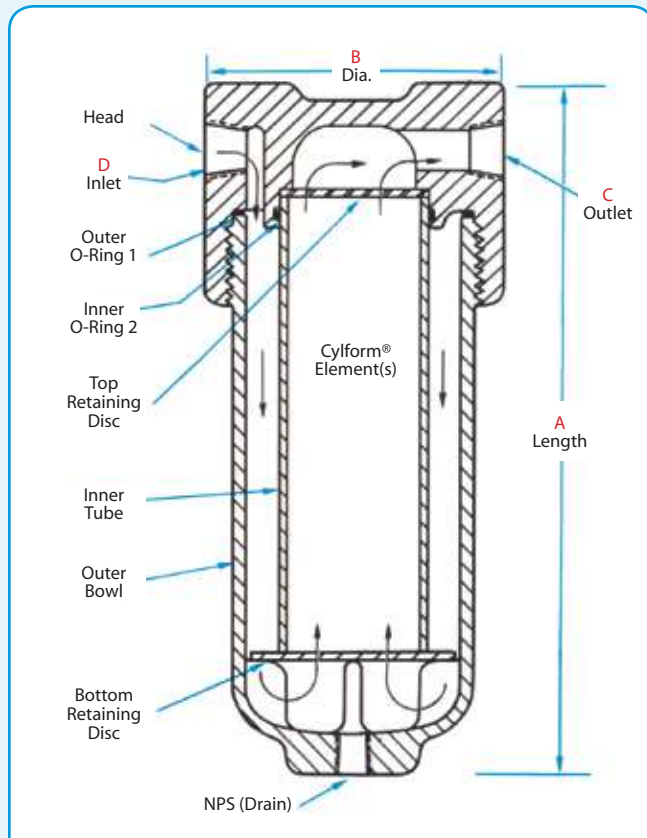
Replace filter element.



Insert clean scrubber and reassemble.

SAFETY

- Turn off air supply before servicing.
- Wear safety glasses when servicing.
- Hard hat and gloves as required.
- **Guards are available.**



	F-T20C	F-T40C	F-T60C
A – Length	10 $\frac{9}{16}$ "	9 $\frac{1}{2}$ "	14 $\frac{3}{4}$ "
B – Diameter	4 $\frac{5}{8}$ "	6 $\frac{1}{8}$ "	6 $\frac{1}{8}$ "
C – Outlet	$\frac{1}{2}$ " - 14 NPT	1" - 11 NPT	1" - 11 NPT
D – Inlet	$\frac{1}{2}$ " - 14 NPT	1" - 11 NPT	1" - 11 NPT

PARTS LIST	F-T20C	F-T40C	F-T60C
Acetyl Head	1061B	–	–
Aluminum Head	–	1037	1037
Outer Bowl-Molded Polyclear II®* Polyurethane	1020I	1040I	1060I
Inner Tube, Butyrate	1058	1039A	1039B
Outer O-Ring Seal 1. Buna	LNO2	LNO1	LNO1
Inner O-Ring Seal 2. Buna	SNO4	SNO2	SNO2
Top Retaining Disc, Perforated PVC or aluminum, 1/8" thick	1062A PVC	1040A Aluminum	1040A Aluminum
Bottom Retaining Disc, Perforated PVC, 1/8" thick	1062B	1040B	1040B
Scrubber Element	S20C	S40C	S60
Cylform®* Desiccant Element (1)	EL20	EL125	–
Cylform®* Desiccant Element (2)	–	–	EL125
Drain Petcock	PCK1 **	PCK1 **	PCK1 **
Metal Safety Guard (Recommended)	GT20	GT40	GT60
Mini Auto Drain	NDM2	NDM2	NDM2

**Included with replacement bowl.



Mini Auto Drain



Metal Safety Guard